

## 19" Rackmount, Vertical-mount



### KEY FEATURES

- Modular 19" rack-mounted system for vertical installation of 6U boards (Eurocard format standard)
- 7U bottom-to-top cooling, 8U-13U front-to-rear
- Clear chromate aluminum / Including backplane and power supply unit / Fully assembled, wired and tested
- Installation space for up to 21 slots at 0.8" pitch (typical Eurocard board spacing)
- Modular card guides to accept different board pitches
- 6U backplanes in OpenVPX, CompactPCI, VME64x or custom
- Options using powerful RiCool blowers for front-to-rear cooling configurations
- Systems management options

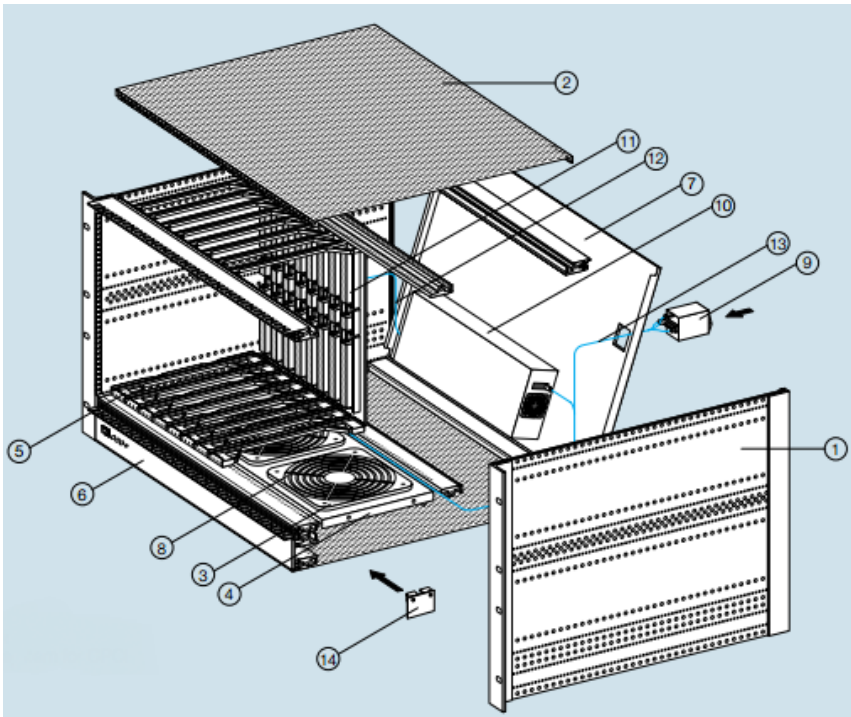
7U to 13U rack-mounted enclosure with 482.6 mm (19") mounting brackets (may be offset approximately 100 mm to the rear). Up to 21 slots at 0.8" pitch with rear plug I/O options. Enclosure cooling in various formats with EMC and ESD-compatible configuration. Optional: Hot swap-compatible power supply units with current splitting for redundancy operation. Conforms to IEEE 1101.1/10/11.

*Modifications or custom solutions are available. The Pixus system specialists will assist you with planning and configuration.*

## SPECIFICATIONS

<b>Architecture</b>		
Physical	Dimensions	7U-13U height (1U = 1.75 in), 19" rackmount (~ 17.8" actual width)
	Depth	405mm—7U, 312mm—9U to 11U, 380mm—13U
PCB Depth	Front	160mm
	Rear	80mm
<b>Standards</b>		
CompactPCI VME64x OpenVPX	Backplane Type	CompactPCI Spec. 2.0, Rev 3.0 VITA 1.1—1997 VITA 65—2010 (R2012)
<b>Configuration</b>		
Power	Type	Up to 500W supply AC or DC, Redundant power connection optional
		240V AC with frequency from 47-63Hz and DC -36V to -72V
Environmental	Temperature	0 C to 55 C standard, industrial version to 70 C optional
		-40 C to 70 C non-operational temperature
	Altitude	10,000 ft operational
		40,000 ft non-operational
Relative Humidity	5 to 95% non-condensing	
Conformal Coating	Type	Humiseal 1A33 Polyurethane
		Humiseal 1B31 Acrylic
<b>Other</b>		
MTBF	MIL Handbook 217-F@ TBD Hrs.	
Certifications	Designed to meet FCC, CE and UL certifications where applicable	
Standards	ISO9001:2000 and AS9100B:2004 standards	
Compliance	RoHS	
Warranty	Two years	
Trademarks and logos	The Pixus Logo is a registered trademark of Pixus Technologies Inc. other registered trademarks are the property of their respective owners. Specs. subject to change without notice.	

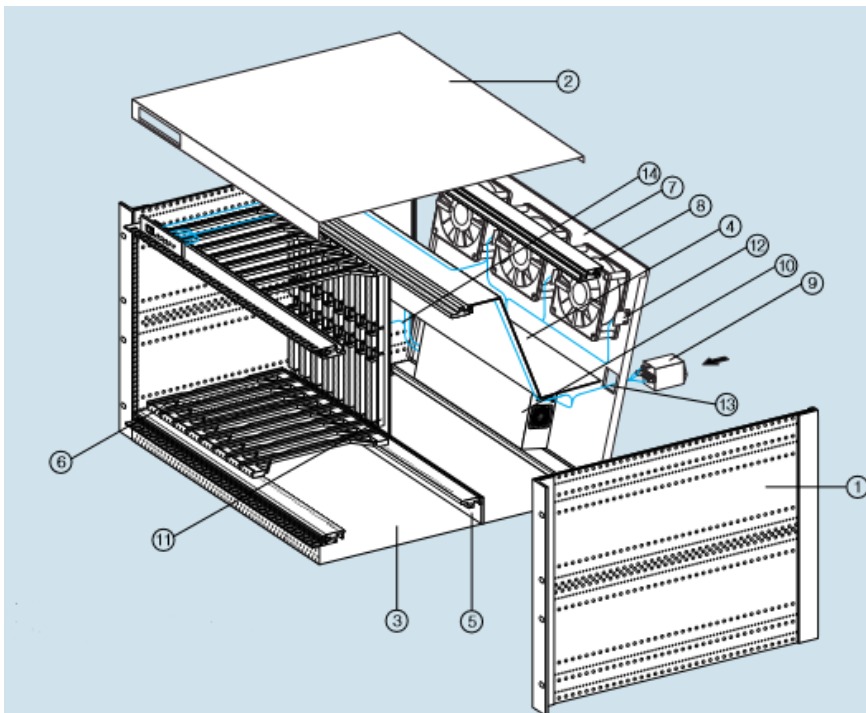
## Bottom-to-Top Cooling Example



## MECHANICAL SUPPLY INCLUDES:

- Ripac subrack system
- EMC gaskets
- Covers
- Card guides
- ESD clips for PCB ESD wipe
- Front panel hinged for RiCool access
- Front panel for air intake/filter
- Air filter, front removable
- Rear panel with IEC AC connector
- PSU in various options
- Backplane in various options

## Front-to-Rear Cooling Example



## ORDERING OPTIONS

### EUR6V-ABC-DDEF

#### A = Power Type

- 0 = Not required
- 1 = Single AC
- 2 = Dual AC
- 3 = Single DC
- 4 = Dual DC
- 5 = Other

#### B = Power Level

- 0 = N/A
- 1 = 175W
- 2 = 250W
- 3 = 300W
- 4 = 400W
- 5 = 500W
- 6 = Other

#### C = Backplane Type

- 0 = Not required
- 1 = CompactPCI
- 2 = VME64x
- 3 = OpenVPX
- 4 = Other

#### DD = Backplane Slots

- XX = N/A
- = 02 to 21

#### E = Cooling Configuration

- 0 = Bottom to top (standard 7U)
- 1 = Front to rear (8U)
- 2 = Front to rear (9U)

#### F = Conformal Coating

- 0 = Not required
- 1 = Humiseal 1A33 Polyurethane
- 2 = Humiseal 1B31 Acrylic

