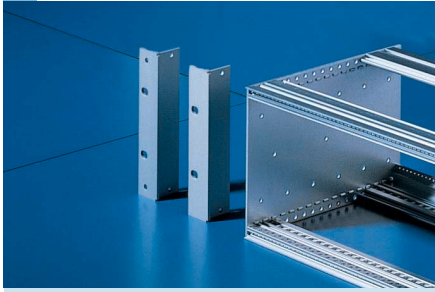


### 482.6 mm (19") Mounting Flange



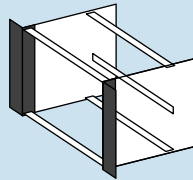
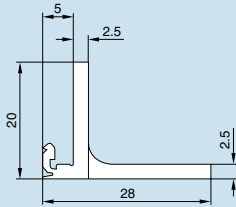
For all Ripac Vario subracks.

**Material:**  
Extruded aluminum

**Surface Finish:**  
Clear chromated

**Supply Includes:**  
1 mounting flange

**Accessories:**  
EMC gaskets, vertical,  
see pages 171,179



U	Packs of	Order No. With Handle Holes	Order No. Without Handle Holes
2	1	-	3684614
3	1	3684622	3684615
4	1	3684623	3684616
6	1	3684624	3684617
7	1	3684625	3684618
9	1	-	3684619
10	1	-	3684620
11	1	-	3684621

### 482.6 mm (19") Front Flange With T Channel



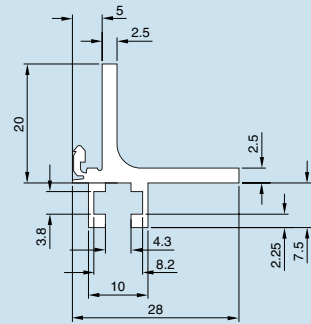
To fit all Ripac Vario, Ripac Vario EMC, Ripac Compact and Ripac Vario Mobil subracks. The T-slot can be used for the attachment of components, for strain relief or for cable routing. EMC gaskets may be fitted for EMC applications.

**Material:**  
Extruded aluminum section

**Surface Finish:**  
Clear chromated

**Supply Includes:**  
1 front flange

**Accessories:**  
EMC gaskets, vertical,  
see pages 171,179



U	Packs of	Order No.
3	1	3686192
6	1	3686193
9	1	3686194

### 482.6 mm (19") Mounting Flange, Recessed

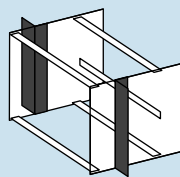
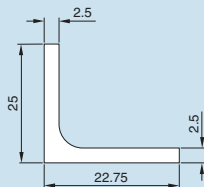


To fit all Ripac Vario, Ripac Vario EMC, Ripac Compact and Ripac Vario Mobil subracks. For recessed mounting in the enclosure.

**Material:**  
Extruded aluminum

**Surface Finish:**  
Clear chromated

**Supply Includes:**  
1 mounting flange



U	Packs of	Order No.
3	1	3684626
4	1	3684627
6	1	3684628
7	1	3684629
9	1	3684630
10	1	3684631
11	1	3684632

Note: Assembly screws, nuts and washers should be ordered separately.

Packs of	Order No.
4 set	3687015

**Accessories:**  
EMC gaskets, vertical,  
see page 179