

Accessories

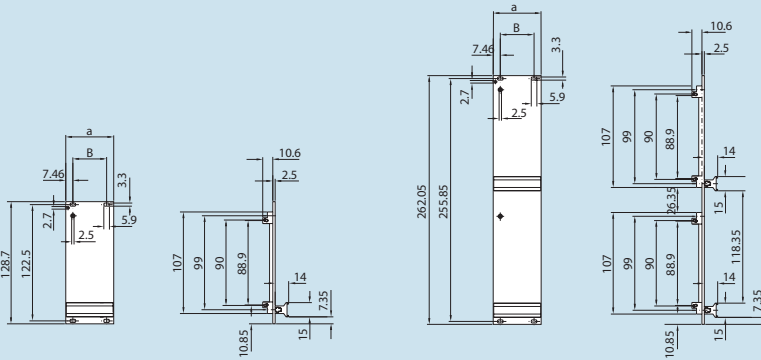
Front Panels With Handles

Front Panels With Type V Handle And Dual PCB Holder

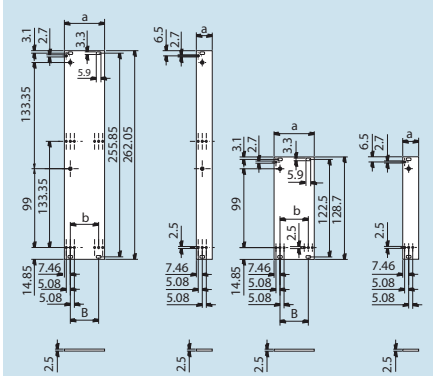


Complete kits
Material:
 2.5 mm aluminum, natural anodized
 Handle: aluminum, natural anodized
 PCB holder: polycarbonate RAL 7032
Supply Includes:
 1 front panel
 1 (2) handle(s)
 1 (2) PCB holder(s)
 assembly parts
Accessories:
 For identification strips for handles, see page 207

HP	a	W (B)	Order No. 3U H=128.7	Order No. 6U H=262.05
3	14.9	-	3652000	3652200
4	20.0	-	3652010	3652210
5	25.1	-	3652020	3652220
6	30.1	-	3652030	3652230
7	35.2	-	3652040	3652240
9	40.3	-	3652050	3652250
10	50.5	35.6	3652060	3652260
12	60.6	45.7	3652070	3652270
14	70.8	55.9	3652080	-



Front Panels For Type V And VI Handles



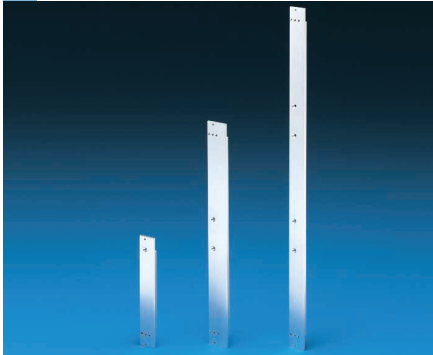
Material:
 2.5 mm aluminum sheet
Surface Finish:
 Anodized

Supply Includes:
 1 front panel
Accessories:
 Handles, type V and VI, see page 207

HP	a	B	b	Packs of	Model No. 3U	Model No. 6U
3	14.9	-	-	1	3685569	3685578
4	20.0	-	-	1	3685570	3685579
5	25.1	-	-	1	3685571	3685580
6	30.2	-	15.2	1	3685572	3685581
7	35.2	-	20.3	1	3685573	3685582
8	40.3	-	25.4	1	3685574	3685583
10	50.5	35.6	35.6	1	3685575	3685584
12	60.6	45.7	45.7	1	3685576	3685585
14	70.8	55.9	55.9	1	3685577	3685586

Note: Captive screws and plastic collars should be ordered separately.
 Order No. 3658160 (Slotted), packs of 100 sets.
 Order No. 3684084 (Posidrive), packs of 100 sets.

U-shaped Front Panel For Type V And VI Handle



Material:
 2.5 mm aluminum
Surface Finish:
 Clear chromated
Supply Includes:
 1 front panel
 1 vertical EMC gasket
Accessories:
 Handles, type V, see page 207
 Handles, type VI, see page 207
Note: Alignment screws should be ordered separately.
 Order No.RP 3687050 (slotted), packs of 100.

HP	a	B	Packs of	Order No. 3U	Order No. 6U
4	20.0	-	1	3687655	3687660
6	30.2	-	1	3687656	3687661
8	40.3	-	1	3687657	3687662
10	50.5	35.6	1	3687658	3687663
12	60.6	45.7	1	3687659	3687664