

## Accessories

### Front Panels With Handles

#### Front Panels With Type V Handle And Dual PCB Holder



Complete kits

**Material:**

2.5 mm aluminum, natural anodized  
Handle: aluminum, natural anodized  
PCB holder: polycarbonate RAL 7032

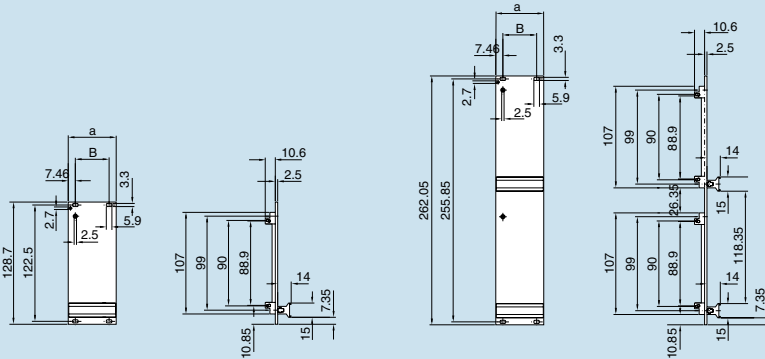
**Supply Includes:**

1 front panel  
1 (2) handle(s)  
1 (2) PCB holder(s)  
assembly parts

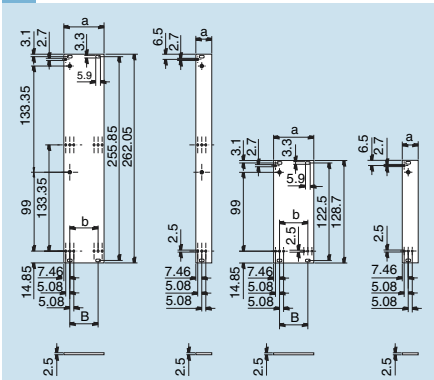
**Accessories:**

For identification strips for handles, see page 207

HP	a	W (B)	Order No. 3U H=128.7	Order No. 6U H=262.05
3	14.9	-	3652000	3652200
4	20.0	-	3652010	3652210
5	25.1	-	3652020	3652220
6	30.1	-	3652030	3652230
7	35.2	-	3652040	3652240
9	40.3	-	3652050	3652250
10	50.5	35.6	3652060	3652260
12	60.6	45.7	3652070	3652270
14	70.8	55.9	3652080	-



#### Front Panels For Type V And VI Handles



**Material:**

2.5 mm aluminum sheet

**Surface Finish:**

Anodized

**Supply Includes:**

1 front panel

**Accessories:**

Handles, type V and VI, see page 207

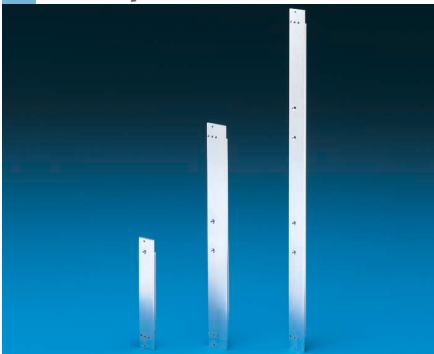
HP	a	B	b	Packs of	Model No. 3U	Model No. 6U
3	14.9	-	-	1	3685569	3685578
4	20.0	-	-	1	3685570	3685579
5	25.1	-	-	1	3685571	3685580
6	30.2	-	15.2	1	3685572	3685581
7	35.2	-	20.3	1	3685573	3685582
8	40.3	-	25.4	1	3685574	3685583
10	50.5	35.6	35.6	1	3685575	3685584
12	60.6	45.7	45.7	1	3685576	3685585
14	70.8	55.9	55.9	1	3685577	3685586

Note: Captive screws and plastic collars should be ordered separately.

Order No. 3658160 (Slotted), packs of 100 sets.

Order No. 3684084 (Posidrive), packs of 100 sets.

#### U-shaped Front Panel For Type V And VI Handle



**Material:**

2.5 mm aluminum

**Surface Finish:**

Clear chromated

**Supply Includes:**

1 front panel  
1 vertical EMC gasket

**Accessories:**

Handles, type V, see page 207

Handles, type VI, see page 207

Note: Alignment screws should be ordered separately.

Order No. RP 3687050 (slotted), packs of 100.

HP	a	B	Packs of	Order No. 3U	Order No. 6U
4	20.0	-	1	3687655	3687660
6	30.2	-	1	3687656	3687661
8	40.3	-	1	3687657	3687662
10	50.5	35.6	1	3687658	3687663
12	60.6	45.7	1	3687659	3687664

## Front Panels With Handles

### Type V Handle, Plastic



**Material:**  
Plastic

**Supply Includes:**  
1 handle

**Accessories:**  
Assembly kit should be ordered separately,  
**Order No.RP 3687519**, packs of 1 set.  
Identification strip, self-adhesive,  
**Order No.RP 3687693**, packs of 1, 0.5 m.

HP	Color	Packs of	Order No.
3	Gray	1	<b>3685490</b>
4	Gray	1	<b>3685491</b>
8	Gray	1	<b>3685492</b>
12	Gray	1	<b>3685493</b>
20	Gray	1	<b>3685494</b>
3	Black	1	<b>3685495</b>
4	Black	1	<b>3685496</b>
8	Black	1	<b>3685497</b>
12	Black	1	<b>3685498</b>
20	Black	1	<b>3685499</b>

### Type V Handle, Aluminum



**Material:**  
Aluminum

**Surface Finish:**  
Anodized

**Supply Includes:**  
1 handle

HP	Order No.	HP	Order No.
3	<b>3685595</b>	8	<b>3685600</b>
4	<b>3685596</b>	10	<b>3685601</b>
5	<b>3685597</b>	12	<b>3685602</b>
6	<b>3685598</b>	14	<b>3685603</b>
7	<b>3685599</b>	1 m	<b>3685604</b>

*Note: Assembly kit should be ordered separately.*

**Order No. 3687146**, packs of 1 set  
(1 fastening piece, 1 square nut, 1 cheese head screw).2 packs are required for 6HP.

### Identification Strips For Type V Handles, Aluminum



For individual labeling of the handles.

**Material:**  
0.5 mm aluminum

**Surface Finish:**  
Anodized

HP	Packs of	Order No.
3	1	<b>3685746</b>
4	1	<b>3685747</b>
5	1	<b>3685748</b>
6	1	<b>3685749</b>
7	1	<b>3685750</b>
8	1	<b>3685751</b>
10	1	<b>3685752</b>
12	1	<b>3685753</b>
14	1	<b>3685754</b>
1 m	1	<b>3685758</b>
0.5 m	5	<b>3606300</b>

### Type VI Handle, Aluminum



**Material:**  
Aluminum

**Surface Finish:**  
Anodized

**Supply Includes:**  
1 handle

HP	Order No.	HP	Order No.
3	<b>3685605</b>	12	<b>3685612</b>
4	<b>3685606</b>	14	<b>3685613</b>
5	<b>3685607</b>	21	<b>3685614</b>
6	<b>3685608</b>	28	<b>3685615</b>
7	<b>3685609</b>	42	<b>3685616</b>
8	<b>3685610</b>	84	<b>3685617</b>
10	<b>3685611</b>	1 m	<b>3685618</b>

*Note: Assembly kit should be ordered separately.*

**Order No. 3687146**  
See type V handle, aluminum, for details.