

### Type VII Injector/Extractor Handle (Telecom) (For 6U And 9U Applications)



Metal injector/extractor handle for insertion and removal of connectors with a large number of pins (up to 835 N). This handle was specifically designed for use in telecom applications.

Only for use in conjunction with front horizontal rails with a 10 mm extension

- Optionally available with 1/2HP offset
- Option of installing keys
- Optional integral microswitch for "live insertion" applications
- ESD pin to dissipate static charges
- Metal design for use in aggressive atmospheres

**Material:**  
Die-cast zinc

**Supply Includes:**  
Injector/extractor handle, assembly parts

#### Handles Without Offset (4.07 mm)

Installation	Packs of	Order No.
Top*	1	3688790
Bottom*	1	3688791

\*Offset spacer no longer required

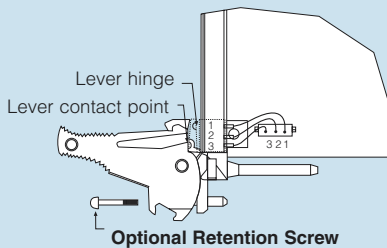
#### Handles With Offset (6.61 mm)

Installation	Packs of	Order No.
Top	1	3688786
Bottom	1	3688787

**Accessories:**

Keys, see page 100  
Keyable guide rails, see page 57  
Keyable guide rails with offset, see page 57  
Microswitch, see below, page 99

### Optional Retention Screw For handles Type IVs And VII

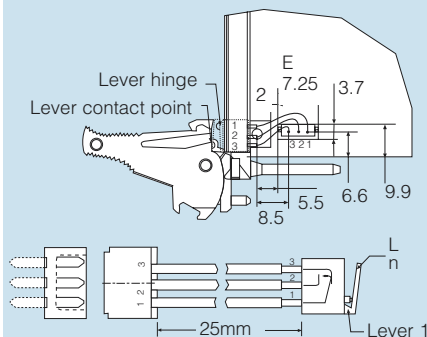


Front panels with injector/extractor handles may retain the pluggable boards in the system by only using the self-locking feature of the handle or by using retention screws.

*Note: For EMC applications. When using these optional retention screws you may not need to use the horizontal gasketing mounted to the subrack system front/rear horizontal rails.*

**Order No. 3685097** 100 pieces

### Embedded Microswitch Cable Assembly For Hot Swap Applications



Suitable for CompactPCI and other hot swap applications using a front panel injector/extractor handle operated device.

*Note: The required blue LED on the front panel is not offered and may be obtained otherwise.*

**Microswitch Technical Data.**

- Ratings:**
- 30 V DC, 5-50 mA, resistive load (30,000 cycles)
  - 60 V DC, 5 mA, resistive load (30,000 cycles)
  - 60 V DC, 500 mA, resistive load (15,000 cycles)

**Operating Temp.:** -13°F (25°C) to +158°F (+70°C)

**Humidity:** RH 85% max

**Vibration:** 10Hz to 55Hz, 18g

**Shock:** 30g, 11 msec

May be inserted into both the CompactPCI and the Telecom handle. Microswitch assembly includes:

- Microswitch
- 3 wires, 25 mm x # 32 AWG
- Plug
- Retention clip

**Order No. 3686536** (1 assembly)

The PCB mounted header may be a through hole mounted header or a surface mounted header.

Through hole mounted header:

**Order No. 3686537** 1 piece

Surface mounted header:

**Order No. 3686541** 1 piece

*Note: Minimum quantity is 10 pieces.*

- 2 1-2 Microswitch lever pushed down: injector/extractor handle in locked position.
- 1 1-3 Microswitch lever not pushed down: injector/extractor handle un-locked.

### Microswitch



	Packs of	Order No.
Microswitch retainer	10	3685411
Microswitch with harness assembly	1	3686536