

Accessories

Front Panels – Handle, Type V, VI

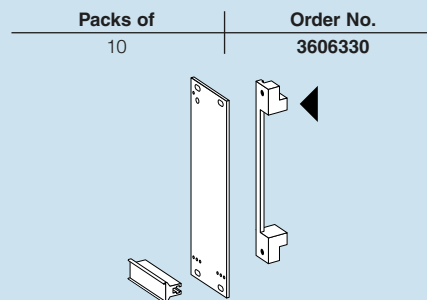
Dual PCB Holders For Front Panels



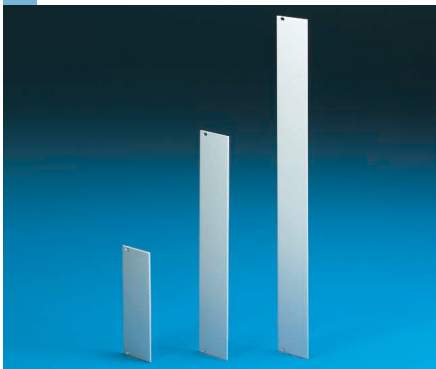
For securing PCBs to front panels.

Material:
Noryl

Supply Includes:
PCB holder
Assembly parts



Filler Panels – Non EMC

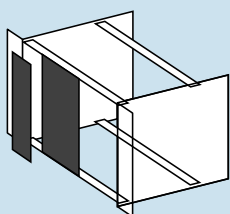
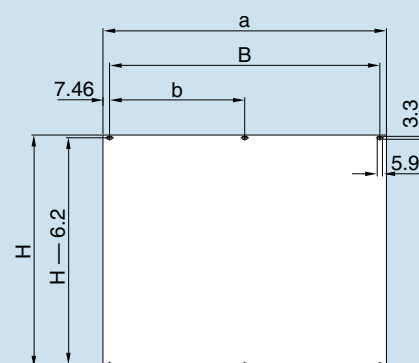


Material:
Filler panel 2.5 mm aluminum sheet
natural anodized

Supply Includes:
1 front panel

Note: Captive screws and plastic collars should be ordered separately.

Order No. 3658160 (slotted), packs of 100.



HP	a	Width (B)	b	Order No. 1U H = 39.8	Order No. 2U H = 84.25	Order No. 3U H = 128.7	Order No. 4U H = 173.15	Order No. 6U H = 262.05	Order No. 7U H = 306.5	Order No. 9U H = 395.4	Order No. 10U H = 439.85	Order No. 11U H = 484.3
2	9.8	-	-	-	-	3684889	-	3684911	-	3684738	-	-
3	14.9	-	-	-	-	3684890	-	3684912	-	-	-	-
4	20.0	-	-	-	-	3684891	-	3684913	-	3684739	-	-
5	25.1	-	-	-	-	3684892	-	3684914	-	-	-	-
6	30.1	-	-	-	-	3684893	-	3684915	-	-	-	-
7	35.2	-	-	-	-	3684894	-	3684916	-	-	-	-
8	40.3	-	-	-	-	3684895	-	3684917	-	3684740	-	-
10	50.5	35.6	-	-	-	3684896	-	3684918	-	-	-	-
12	60.6	45.7	-	-	-	3684897	-	3684919	-	3684741	-	-
14	70.8	55.9	-	-	-	3684898	-	3684920	-	-	-	-
20	101.3	86.4	-	-	-	3684899	-	3684921	-	-	-	-
21	106.4	91.4	-	-	3685350	3684900	-	3684922	-	-	-	-
24	121.7	106.7	-	-	3685429	-	-	-	-	-	-	-
27	136.8	121.9	-	-	-	3684901	-	3684923	-	-	-	-
28	141.9	127.0	-	-	-	3684902	-	3684924	-	-	-	-
40	202.9	188.0	-	-	-	3684903	-	3684976	-	3684977	-	-
42	213.0	198.1	-	3684885	3684887	3684904	3684908	3684925	3684928	3684742	3684753	3684754
60	304.5	289.6	-	-	-	3684905	-	-	-	-	-	-
63	319.7	304.8	152.4	-	-	3684906	3684909	3684926	3684929	-	-	-
84	426.4	411.5	203.2	3684886	3684888	3684907	3684910	3684927	3684930	3684743	3684751	3684752
85	413.5	411.5	203.2	-	-	3684744	3684745	3684746	3684747	3684748	3684749	3684750