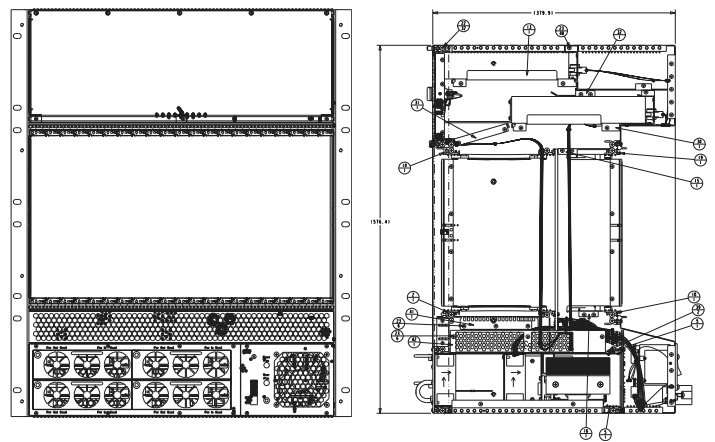


Order Information

Ripac Rack-Mount System For CompactPCI 13U, 21 Slot With RiCool Hot-Swap Blowers, With RTMs

For 1800W systems. With air-plenum for full cooling redundancy 2400W, with air-intake filter

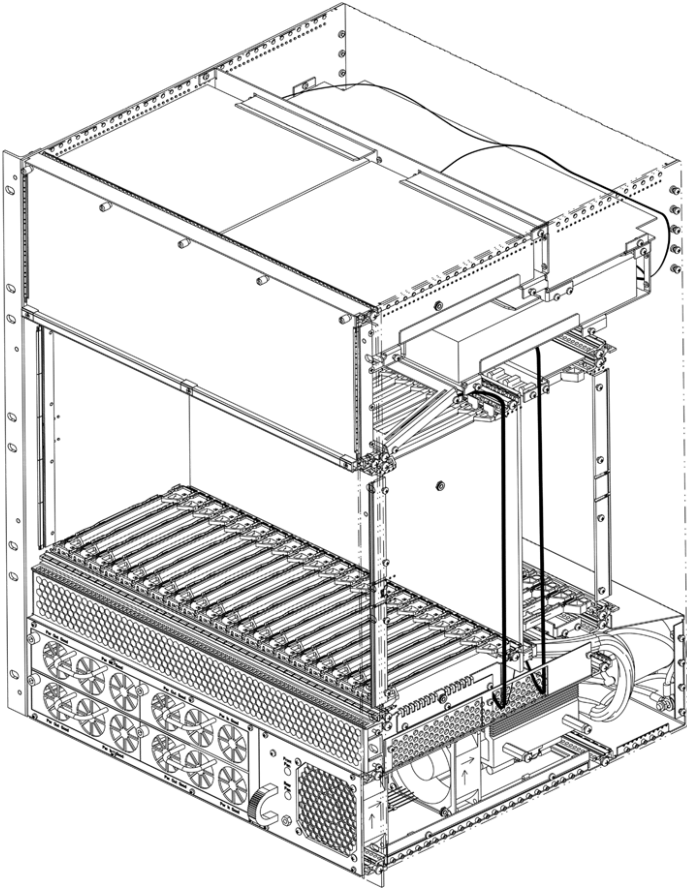
U			Order No.	
Side panel depth (mm)	Rear internal wiring space (mm)	For PCB	12 (6 + 3 + 3)	
379.9	85.5	6U x 160 mm 6U x 80 RTMs	9808544	
Mechanical Supply Includes				
Item	Description	Material	Quantity	Page
1	Ripac subrack system	Aluminum, clear chromated	1	146
2	EMC gaskets	Stainless steel	Various	100
3	Covers	1 mm aluminum, clear chromated	2	188-191
4	Guide rails gray/yellow, keyable	Polycarbonate UL 94-V0	40	57
5	Guide rails red (CPU), keyable	Polycarbonate	2	57
6				
7	Guide rails gray/yellow (RTMs), keyable	Polycarbonate UL 94-V0	42	57
8	ESD clips for PCB ESD wipe	Stainless steel	42	57
9	Front panel hinged for RiCool access	2.5 mm aluminum, clear chromated	1	
10	Front panel for air-intake/filter access	1 mm aluminum, clear chromated	1	
11	Air filter, front removable	Quadrafoam UL 94	1	
12	Rear panel with IEC AC connector	1 mm aluminum, clear chromated	1	
Electrical Supply Includes				
		Electrical specifications		
13	CompactPCI backplane 6.5U x 21 slot	See PICMG 2.0/2.1	1	73
14				
15	RiCool blowers 12 V or 24 V or 48 V optional	48W, 110 cfm each static pressure 1.6" H ₂ O	4	222
16	IEC AC socket with line filter	30A (VDE, UL, CSA)	1	
17	Power supply 4 x 1U x 28HP AC or DC	600W	4	146
18				
19	AC cable harness			
*	DC available upon request			



A 13U x 84HP integrated subrack that accepts up to 21 Slot, 6U x 160 mm, 64 or 32 Bit cPCI boards and up to four 1U power supplies to form a complete CompactPCI system.

A NEBS compatible system for use in telecommunication or telephony applications. It is designed for applications requiring very high airflow in a fail-safe environment with 80 mm transition boards.

Ripac Rack-Mount System For CompactPCI 13U, 21 Slot With RiCool Blowers, With RTMs



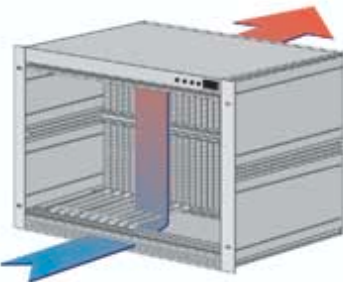
Technical Description:

Vented system, 379.9 mm deep, for installation in 19" (486.2 mm) racks, cabinets or cases
 Prepared to accommodate CompactPCI boards and drives.
 Complies with IEC 60297-3/ -4/ -5-1xx; IEEE 1101.1/.10/.11

Options To Be Considered:

- For alternative cPCI backplanes, see pages 73-78
- For bridges, see page 83
- For alternative cPCI/H.110 backplanes, see pages 74-95
- For alternative PICMG 2.16 fabric backplanes, see page 78
- For alternative PICMG 2.17 star fabric backplanes, see page 76
- For alternative PSU backplanes, see pages 88-91
- For power supplies, see page 91
- For DC power entry module, see page 92
- For alarm board, see pages 93-94
- For hard disk drive modules, see page 95
- For RiCool blowers, see pages 222-225
- For system thermal evaluation tools, see page 54
- For EMC filler panels, see pages 208-209
- For front panels and injector/extractor handles, see page 98
- For 30A RTM ground contacts, see page 58

Features	12U
Prepared for the installation of 21 x 6U x 160 mm cPCI front boards and 21 x 6U x 80 mm RTMs	•
For the optional installation of drives and pluggable PSUs	•
6U x 8HP AC or DC power supplies, 2 x 350W included	•
Front/rear interface for CompactPCI defined injector/extractor handles	•
Keyable PCB guide/slot positions per PICMG 2.10	•
Red guides for the system slot	•
Green guides for the PSU slot	•
Gray/yellow guides for peripheral slot identification	•
ESD clips for PCB ESD wipe	•
Optional ESD clips for front panel ESD protection	•
Optional 30A GND sockets for RTM protection	•
Front/rear cooling	•
EMC design	•
Forced air cooling with intelligent, hot-swap RiCool blowers	•
Fully wired and tested	•



Modification Service:
 Modifications or custom solutions are available. The Kaparel/Rittal system specialists will assist you with planning and configuration.

