

Accessories

Front Panels With Handles

Front Panels With Type V Handle And Dual PCB Holder



Complete kits

Material:
2.5 mm aluminum, natural anodized
Handle: aluminum, natural anodized
PCB holder: polycarbonate RAL 7032

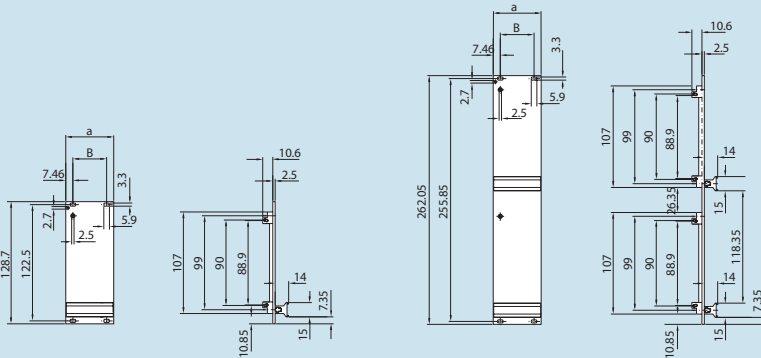
Supply Includes:

1 front panel
1 (2) handle(s)
1 (2) PCB holder(s)
assembly parts

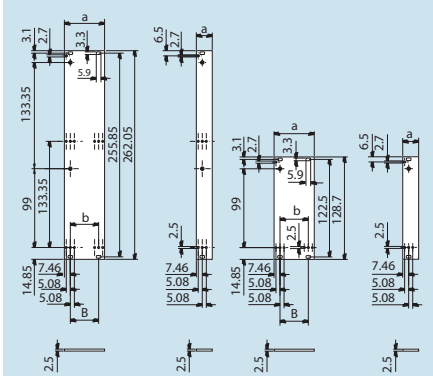
Accessories:

For identification strips for handles, see page 207

| HP | a | W (B) | Order No. 3U H=128.7 | Order No. 6U H=262.05 |
|----|------|-------|-------------------------|--------------------------|
| 3 | 14.9 | - | 3652000 | 3652200 |
| 4 | 20.0 | - | 3652010 | 3652210 |
| 5 | 25.1 | - | 3652020 | 3652220 |
| 6 | 30.1 | - | 3652030 | 3652230 |
| 7 | 35.2 | - | 3652040 | 3652240 |
| 9 | 40.3 | - | 3652050 | 3652250 |
| 10 | 50.5 | 35.6 | 3652060 | 3652260 |
| 12 | 60.6 | 45.7 | 3652070 | 3652270 |
| 14 | 70.8 | 55.9 | 3652080 | - |



Front Panels For Type V And VI Handles



Material:
2.5 mm aluminum sheet
Surface Finish:
Anodized

Supply Includes:

1 front panel

Accessories:

Handles, type V and VI, see page 207

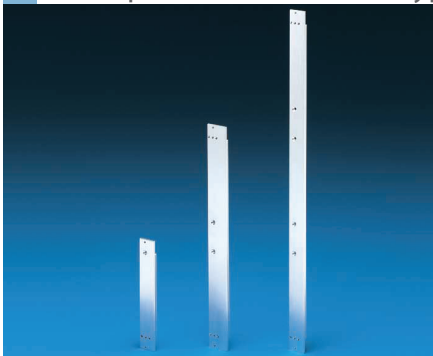
| HP | a | B | b | Packs of | Model No. 3U | Model No. 6U |
|----|------|------|------|----------|--------------|--------------|
| 3 | 14.9 | - | - | 1 | 3685569 | 3685578 |
| 4 | 20.0 | - | - | 1 | 3685570 | 3685579 |
| 5 | 25.1 | - | - | 1 | 3685571 | 3685580 |
| 6 | 30.2 | - | 15.2 | 1 | 3685572 | 3685581 |
| 7 | 35.2 | - | 20.3 | 1 | 3685573 | 3685582 |
| 8 | 40.3 | - | 25.4 | 1 | 3685574 | 3685583 |
| 10 | 50.5 | 35.6 | 35.6 | 1 | 3685575 | 3685584 |
| 12 | 60.6 | 45.7 | 45.7 | 1 | 3685576 | 3685585 |
| 14 | 70.8 | 55.9 | 55.9 | 1 | 3685577 | 3685586 |

Note: Captive screws and plastic collars should be ordered separately.

Order No. 3658160 (Slotted), packs of 100 sets.

Order No. 3684084 (Posidrive), packs of 100 sets.

U-shaped Front Panel For Type V And VI Handle



Material:
2.5 mm aluminum
Surface Finish:
Clear chromated

Supply Includes:

1 front panel
1 vertical EMC gasket

Accessories:

Handles, type V, see page 207

Handles, type VI, see page 207

Note: Alignment screws should be ordered separately.

Order No.RP 3687050 (slotted), packs of 100.

| HP | a | B | Packs of | Order No. 3U | Order No. 6U |
|----|------|------|----------|--------------|--------------|
| 4 | 20.0 | - | 1 | 3687655 | 3687660 |
| 6 | 30.2 | - | 1 | 3687656 | 3687661 |
| 8 | 40.3 | - | 1 | 3687657 | 3687662 |
| 10 | 50.5 | 35.6 | 1 | 3687658 | 3687663 |
| 12 | 60.6 | 45.7 | 1 | 3687659 | 3687664 |