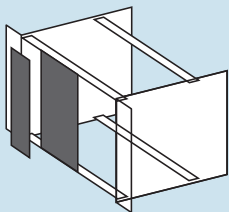
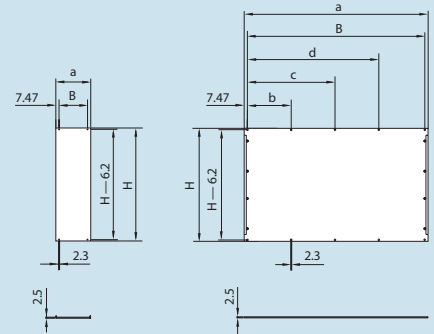


Filler Panels, U-shaped For EMC



Material:
2.5 mm aluminum, extruded
Surface Finish:
Clear chromated
Supply Includes:
1 front panel, one-part or three-part
1 vertical EMC gasket
1 contact strip (three-part only)
1 gasket strip (three-part only)
Note: Order alignment screws separately.
Order No. RP 3687050 (slotted), packs of 100.

EMC



HP	a	Width (B)	b	c	d	Order No. 1U H=39.8	Order No. 2U H = 84.25	Order No. 3U H = 128.7	Order No. 4U H = 173.15	Order No. 6U H = 262.05	Order No. 7U H = 306.5	Order No. 9U H = 395.4	Order No. 10U H = 439.85	Order No. 11U H = 484.3
2	9.8	-	-	-	-	-	-	3685177	-	3685185	-	3685193	-	-
3	14.9	-	-	-	-	-	-	3686138	-	3686139	-	3686140	-	-
4	20.0	-	-	-	-	-	-	3685178	-	3685186	-	3685194	-	-
5	25.1	-	-	-	-	-	-	3685179	-	3685187	-	-	-	-
6	30.1	-	-	-	-	-	-	3685180	-	3685188	-	-	-	-
7	35.2	-	-	-	-	-	-	3685181	-	3685189	-	-	-	-
8	40.3	25.4	-	-	-	-	-	3685182	-	3685190	-	3685195	-	-
10	50.5	35.6	-	-	-	-	-	3685183	-	3685191	-	-	-	-
12	60.6	45.7	-	-	-	-	-	3685184	-	3685192	-	3685196	-	-
14	70.8	55.9	-	-	-	-	-	3684249	-	3684258	-	3684278	-	-
16	80.9	66.0	-	-	-	-	-	3685373	-	3685453	-	-	-	-
20	101.3	86.4	-	-	-	-	-	3684250	-	3684259	-	3684279	-	-
21	106.4	91.4	-	-	-	-	-	3684272	-	3684275	-	-	-	-
27	136.89	121.9	61.0	-	-	-	-	-	-	-	-	-	-	-
28	141.9	127.0	61.0	-	-	-	-	3684251	-	3684260	-	-	-	-
40	202.9	188.0	91.5	-	-	-	-	3684273	-	3684276	-	3684280	-	-
42	213.0	198.1	96.5	-	-	-	-	3684252	3684255	3684261	3684264	3684267	-	-
60	304.5	289.6	96.5	193.0	-	-	-	3684274	-	3684277	-	-	-	-
63	319.7	304.8	101.6	203.2	-	-	-	3684253	3684256	3684262	3684265	3684268	-	-
84	426.4	411.5	101.6	203.2	304.8	3684247	3684248	3684254	3684257	3684263	3684266	3684269	3684270	3684271

2 - 14 HP version one-part; > 14 HP version three-part